

Acqiris U5310A PCIe High-Speed ADC Card with FPGA Signal Processing

2 channels, 10-bits, 5 - 10 GS/s,
DC to 2.5 GHz bandwidth

Datasheet



See Deeper and Sharper than Before



Introduction

The U5310A is a true two channel PCIe, DC coupled 10-bit ADC card, providing sample rates up to 10 GS/s. With 10-bit resolution across a wide 2.5 GHz bandwidth, and real-time processing capabilities, this high-speed signal acquisition card is designed for embedded OEM applications in a variety of advanced imaging and processing systems.

Featuring unique spurious-free dynamic range (SFDR) and signal noise ratio (SNR) performances in high frequencies, especially at 250 mV full scale range (FSR), the U5310A PCIe digitizer is particularly suited for embedded OEM applications requiring digitizer sampling at wide bandwidth and high dynamic range. Overall performance enables final products to more precisely measure time of flight in several end system applications.

Product description

The U5310A is a unique 10-bit ADC card, capturing waveforms from DC up to 2.5 GHz at 5 GS/s or 10 GS/s. It provides excellent measurement accuracy and high dynamic range. Optimized response enables few hundred picoseconds pulse analysis.

An interleaving option allows the two channels to be combined to acquire at 10 GS/s in single channel mode, keeping excellent measurement fidelity.

Featuring very long acquisition memory options up to 4 GB, the U5310A includes a Xilinx FPGA offering real-time data processing capability. The U5310A digitizer occupies a single full length PCIe slot of the host computer.

The digitizer firmware included allows signal acquisition to the on-board memory and subsequent transfer to the host computer via the PCIe bus.

Applications

- Medical research instrumentation
- Environmental monitoring with laser scanning (LiDAR)
- Analytical time-of-flight (TOF)
- Ultrasonic non-destructive testing (NDT)
- Semiconductor
- Distributed strain and temperature sensors (DSTS)

Features

- 1 channel with 10-bit resolution up to 10 GS/s sampling rate with interleaving enabled
- 2 channels with 10-bit resolution up to 5 GS/s simultaneously sampling rate per channel
- DC up to 2.5 GHz bandwidth
- 50 Ω input impedance, DC coupled
- Selectable 250 mV or 1 V full scale range (FSR)
- 15 ps RMS trigger time interpolator (TTI) precision
- Low noise density and low distortion
- Optimized frequency response flatness
- Excellent and flat SFDR over a large analysis bandwidth (> 56 dBc typical)
- Up to 4 GB DDR3 on-board memory
- On-board data processing unit using a Xilinx FPGA
- MI-COM and MI-C drivers available
- Support for Windows and Linux
- Real-time averaging option (-AVG)
- Streaming option (-CST)

Customer values

- Dual channel
- Fast PCIe 10-bit digitizer with on-board real-time processing
- See deeper with better resolution
- Capture wide bandwidth signals
- High dynamic range acquisition for better measurement fidelity
- Accurate measurement
- Large on-board memory
- Capable of switching between multiple firmware programs
- Very high digitized data throughput
- Software support including multiple programmable interfaces for easy integration into existing environments
- Reduced development time, fast time to market

For information on other firmware options please contact us:
hello@acqiris.com

Hardware platform

Integration

The U5310A 10-bit digitizer occupies a single full length PCIe x8 slot in a host computer or in an external chassis. It is compliant with PCI Express 2.0 standard, and benefits from the very fast data interface, making it an ideal platform for many OEM applications.

Unique proprietary technology

Our engineers team developed exclusive proprietary integrated circuits enabling excellent signal performances. Indeed, the U5310A incorporates low noise and low distortion signal conditioning amplifier to drive interleaved ADCs and thanks to a specific clock distribution, it minimizes the clock jitter and spurious. Moreover, the optimized frequency response flatness provides enhanced measurement accuracy on a wide bandwidth.

On-board real-time processing

At the heart of the U5310A ADC card is a data processing unit (DPU) based on the Xilinx Virtex-6 FPGA. This DPU controls the digitizer functionality by implementing digitization of the signal, data storage in the DDR3 SDRAM memory and transfer through the PCIe connection to the host computer.

Moreover, this powerful feature allows real time signal processing and data reduction to be carried out onboard, minimizing transfer volumes and speeding-up analysis.

Block diagram

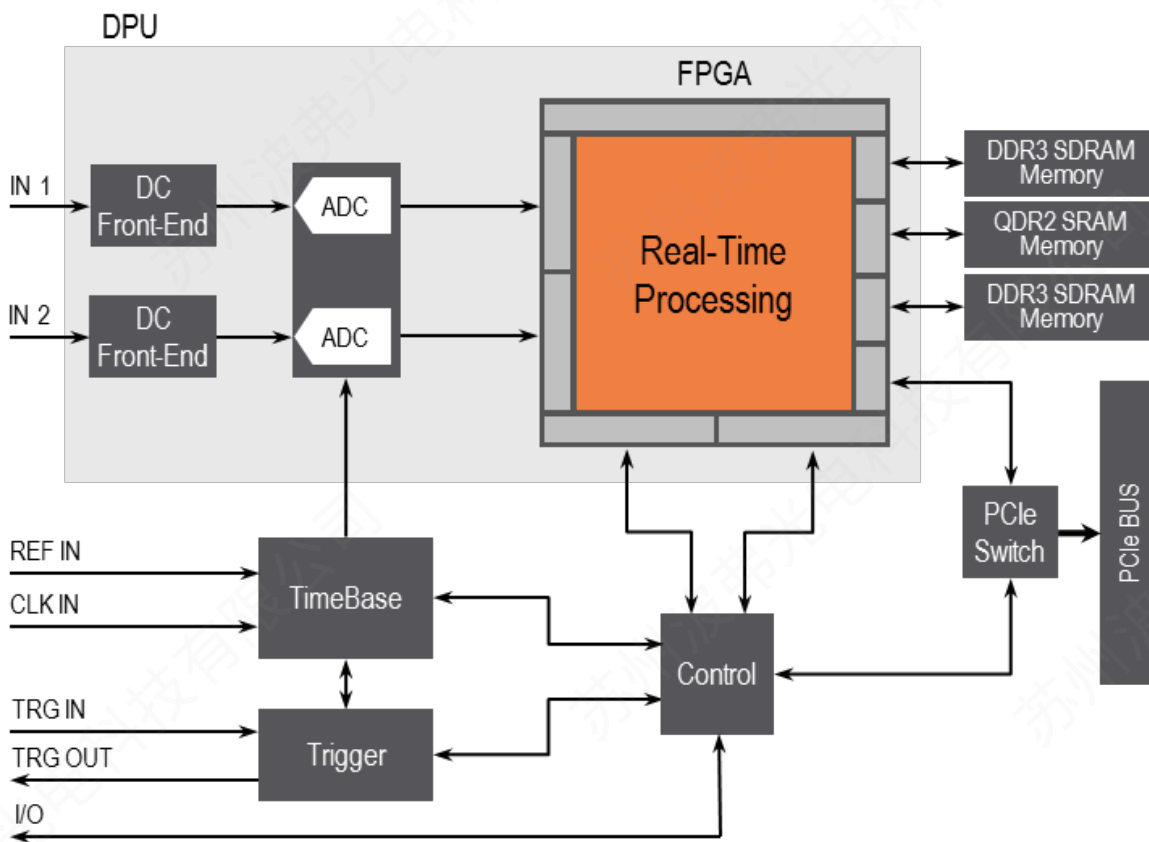


Figure 1. Simplified block diagram of the U5310A PCIe ADC card, with on-board real-time processing.

Software Platform

Drivers

The ADC card comes with the Acqiris MD3 Software for Signal Acquisition Cards. It includes IviDigitizer class compliant M.NET and M-C drivers that work in the most popular development environments including Visual C/C++, C#, VB.NET.

Linux is also supported using a supplied M-C driver.

The software End User License Agreement is available for information at www.acqiris.com/SoftwareEULA.

Easy software integration

To help you get started and complete complex tasks quickly, the U5310A ADC card is supplied with a comprehensive portfolio of module drivers, documentation, examples, and software tools to help you quickly develop test systems with your software platform of choice. In addition, the Keysight IO Libraries Suite offers fast and easy access to the U5310A digitizer using a standardized interface and ensuring compatibility and upgradability of the software applications.

Software applications

The U5310A also includes the MD3 soft front panel (SFP) graphical user interface.

This software application can initially be used to explore the digitizer capabilities and serves as a friendly and convenient tool for capturing and displaying the acquired data in time or frequency domain.

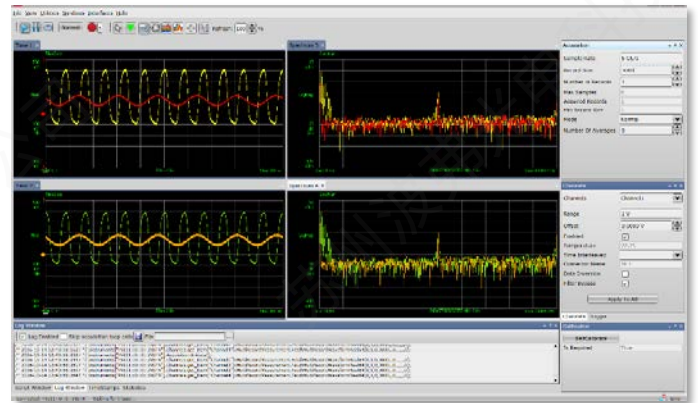


Figure 2. MD3 software front panel (SFP) interface.



Figure 3. U5310A front panel with analog inputs and multiple I/Os signals.



Figure 4. The Acqiris U5310A PCIe 10-bit ADC card with on-board processing offers a small size for easy integration.

Firmware Options

The U5310A ADC Card provides several firmware options:

- DGT: Digitizer firmware
- INT: Interleaved channel sampling functionality
- AVG¹: Firmware for real-time sampling and averaging
- CST: Continuous simultaneous acquisition and readout, with triggers

Easy firmware switch

A simple call to the configuration function will enable to switch to the required option.

DGT digitizer firmware

The digitizer firmware:

- Allows standard data acquisition, including: digitizer initialization, setting of the acquisition and clocking modes, management of channel triggering for best synchronization, storing data in the internal memory and/or transferring them through the backplane bus.
- Implements multi-record acquisition functionality.
- Delivers fixed internal clocking frequency with internal or external reference, and external clock.
- Supports a programmable binary decimation to lower the sample rate by a factor of 2, 4, 8, 16 or 32; enabling decimated sampling rates at 2.5 GS/s, 1.25 GS/s, 625 MS/s, 312.5 MS/s and 156.25 MS/s.

Moreover, the U5310A includes frequency equalization capabilities. Two equalization modes can be selected:

- The "smooth roll off" mode minimizes the overshoot and ringing.
- The "sharp roll off" mode optimizes the frequency response flatness.

Lastly, the implemented trigger time interpolator (TTI) is a high precision integrated time to digital converter, guarantying time measurement accuracy.

INT interleaved channel sampling functionality

This interleave option allows two channels to be combined and to reach 10 GS/s in one channel acquisition mode.

This option can be used with both digitizer (DGT) or real-time sampling and averaging (AVG) firmware.

1. A calibration digitizer function is available with each firmware

AVG firmware for real-time sampling and averaging

Averaging signals reduces random noise effects, improving the signal-to-noise ratio, as well as increasing resolution and dynamic range.

This option enables synchronous real-time sampling and accumulation at 5 GS/s on dual-channel or at 10 GS/s on single channel with INT option, featuring:

- Accumulation from 1 to 16,384 triggers.
- Effective acquisition length up to 655 kSamples in single channel with interleave option or up to 325 kSamples per channel in dual-channel.
- Noise suppressed accumulation (NSA).
- Self-trigger mode for minimal synchronous noise.

The AVG firmware allows decimation factors from 2 to 256 and associated low pass filters:

- Decimated sampling rates: 2.5 GS/s, 1.25 GS/s, 625 MS/s, 312.5 MS/s, 156.25 MS/s, 78.125 MS/s, 39.06 MS/s and 19.53 MS/s.
- Filters in dual channel mode: 1 GHz, 500 MHz, 250 MHz and 125 MHz.
- Filter in single channel mode, with interleave (-INT): 1 GHz, 500 MHz, 250 MHz and 180 MHz.

CST Continuous simultaneous acquisition and readout, with triggers

The -CST firmware option enables simultaneous acquisition and readout and supports multiple record acquisition functionality.

Using this feature, acquired records are streamed to the host computer while the ADC Card is acquiring the next records. This mode supports triggered multiple records of same length. Enabling gaps between the triggered records, CST mode allows longer acquisition duration, compared with standard DGT digitizer firmware.

The -CST firmware option manages the streaming of 10-bit raw output data. Using raw data output, trigger position is known with the accuracy of a sample. For applications requiring trigger position at sub-sample, the information is available on a separated marker stream providing absolute trigger position.

This option is especially dedicated to applications requiring no trigger loss. Depending on the settings and trigger rate, the streaming can be sustained endlessly without overflow. The maximum duration of the acquisition only depends on the size of the storage device of the host computer.

Technical Specifications and Characteristics

Analog input (IN 1 and IN 2 SMA connectors)		
Number of channels		2 (without INT option) 2 or 1 (with INT option)
Impedance		50 Ω \pm 4 %
Coupling		DC
Full scale ranges (FSR)		250 mV and 1 V
Maximum input voltage		250 mV FSR: \pm 0.5 Vpk 1 V FSR: \pm 1.5 Vpk
Input voltage offset		\pm FSR
Input frequency range (-3 dB bandwidth)	-F25	DC to 2.5 GHz (<i>typical</i>)
Bandwidth limit filters (BWL)		2 GHz (<i>nominal</i>)
Channel to Channel skew ¹		\pm 30 ps
Effective numbers of bits (ENOB) ²	@ 100 MHz	7.0 (7.3 <i>typical</i>)
	@ 648 MHz	7.0 (7.2 <i>typical</i>)
	@ 924 MHz	6.9 (7.2 <i>typical</i>)
	@ 1.9 GHz	6.8 (7.0 <i>typical</i>)
Signal to noise distortion (SNR) ²	@ 100 MHz	44 dB (46 dB <i>typical</i>)
	@ 648 MHz	44 dB (45 dB <i>typical</i>)
	@ 924 MHz	44 dB (45 dB <i>typical</i>)
	@ 1.9 GHz	42 dB (44 dB <i>typical</i>)
Spurious free dynamic range (SFDR) ²	@ 100 MHz	58 dBc (<i>typical</i>)
	@ 648 MHz	57 dBc (<i>typical</i>)
	@ 924 MHz	57 dBc (<i>typical</i>)
	@ 1.9 GHz	56 dBc (<i>typical</i>)

1. The channel-to-channel skew is defined as the magnitude of time delay difference between two digitized channel inputs, granted the same signal is provided to each channel at the exact same time. The measurement results from a sine-fit method of a 100 k samples using sinusoid signal whose frequency is swept over 50 MHz to 2 GHz, and is an average of 5 measurements.
2. Measured for a -1 dBFS input signal in internal clock mode at 5.0 GS/s.

Technical Specifications and Characteristics *(Continued)*

Digital conversion		
Resolution		10 bits
Acquisition memory (total)	-M02	256 MB (100 MSamples/ch)
	-M40	4 GB (1.6 GSamples/ch)
Sample clock sources		Internal or external
Internal clock source		Internal, external reference
Real-time sampling rates		5 GS/s per channel
Sampling clock jitter		80 fs (<i>nominal</i>) ¹
Clock accuracy		± 1.5 ppm
External clock source (CLK IN MMCX connector)		
Impedance		50 Ω (<i>nominal</i>)
Frequency range ²		5 GHz
Signal level		+5 dBm to +15 dBm (<i>nominal</i>), 0 V DC
Coupling		AC
External reference clock (REF IN MMCX connector)		
Impedance		50 Ω (<i>nominal</i>)
Frequency range		100 MHz ± 1 kHz (<i>nominal</i>)
Signal level		-3 dBm to +3 dBm (<i>nominal</i>)
Coupling		AC
Acquisition modes		Single record, Multi-record
Maximum number of records		131072
Maximum record length	-M02	100 MSamples/ch (or 200 MSamples with INT option)
	-M40	1.6 GSamples/ch (or 3.2 GSamples with INT option)

1. Jitter figure based on phase noise integration from 12 kHz to 10 MHz in internal reference.
2. The sampling rate corresponds to the external clock frequency in 2-channel mode (non interleaved channels). In interleaved mode (only available with the INT option), the sampling rate corresponds to twice the frequency of the external clock signal.

Technical Specifications and Characteristics *(Continued)*

Trigger		
Trigger modes		Positive or negative edge
Trigger sources		External, Channel, Software
Channel trigger frequency range		DC to 2.6 GHz (<i>nominal</i>)
External trigger (TRG IN MMCX connector)		
Coupling		DC
Impedance		50 Ω (<i>nominal</i>)
Level range		± 5 V (<i>nominal</i>)
Minimum amplitude		0.5 V pk-pk (<i>nominal</i>)
Frequency range		DC to 2 GHz (<i>nominal</i>)
Maximum time stamp duration		20 days
Trigger time interpolator resolution		8 ps (<i>nominal</i>)
Trigger time interpolator precision		15 ps RMS (<i>nominal</i>)
Rearm time (deadtime)		0.8 μ s (<i>nominal</i>)
Trigger out (TRG OUT MMCX connector)		
Signal level ¹		0.8 Vpp \pm 2.5 Voffset (<i>nominal</i>) into high impedance
Control IO (I/O 1, 2 and 3 MMCX connectors)		
Output functions		
		Acquisition active
		Trigger is armed
		Trigger accept resynchronization
		100 MHz reference clock divided by 2. ²
		Sampling clock divided by 128. ²
		Low level
		High level
		Self-trigger ³
	-AVG	Accumulation active ⁴
	-AVG	Accumulation active ⁴
Input function	-AVG	Accumulation enable ²

1. At 10 MHz on a 50 Ω load.
2. Only on I/O 1.
3. Only on I/O 3.
4. Only on I/O 2.

Technical Specifications and Characteristics *(Continued)*

Environmental and physical ¹			
Temperature range	Operating ²		0 to +40°C (sea-level to 10,000 feet) 0 to +35°C (10,000 to 15,000 feet)
	Non-operating		-40 to +70°C
Altitude	Up to 15,000 feet (4'572 meters)		
EMC	Complies with European EMC Directive <ul style="list-style-type: none"> - IEC/EN 61326-1 - CISPR Pub 11 Group 1, class A - AS/NZS CISPR 11 - ICES/NMB-001 This ISM device complies with Canadian ICES-001. Cet appareil ISM est conforme à la norme NMB-001 du Canada.		
Acoustic	European Machinery Directive Acoustic noise emission LpA < 70 dB Operator position Normal operation mode		
Power dissipation ³			
+ 3.3 V	+ 3.3 V _{AUX}	+ 12 V	Power on PCIe edge connector
1.7 A (nominal)	-	2.6 A (nominal)	37 W (nominal)
+ 5 V		+ 12 V	Power on additional power cable ⁴
4.0 A (nominal)		2.6 A (nominal)	51 W (nominal)
Mechanical characteristics			
Form Factor	PCIe x8 standard (full length with fan)		
Size	Without fan ⁵		17.6 W x 126.3 H x 169.5 D mm
	With fan ⁶		40.6 W x 126.3 H x 252.1 D mm
Weight	0.6 kg (1.32 lbs)		

1. Samples of this product have been type tested against the environmental stresses of Storage, Transportation and End-use; those stresses include but are not limited to temperature, humidity, shock, vibration, altitude and power line conditions. Test Methods are aligned with IEC 60068-2 and levels are similar to MIL-PRF-28800F Class 3.
2. Host computer internal ambient temperature at intake of the ADC Card's fan.
3. Power measured in digitizer mode.
4. Additional power cable mandatory to ensure adequate power distribution as per PCIe standard.
5. 60 m³/h airflow is required. The unit must be operated with the included fan, without obstruction of the airflow into the fans inlet and out of the card's sides.
6. Optional rail guide can be ordered to stabilize the PCIe card in the host computer.

Technical Specifications and Characteristics *(Continued)*

System requirements (contact us at support@acqiris.com for a list of recommended host computers)		
Topic	Windows	Linux
Operating systems	Windows 10 (32-bit and 64-bit), All versions Windows 8.1 (32-bit and 64-bit), All versions Windows 7 (32-bit and 64-bit), All versions	Linux Kernel 2.6 or higher (32 or 64-bit), Debian 8, Ubuntu-16.04, CentOS-7
Processor speed	1 GHz 32-bit (x86), 1 GHz 64-bit (x64), no support for Itanium 64	As per the minimum requirements of the chosen distribution
Available memory	1 GB minimum ¹	As per the minimum requirements of the chosen distribution
Available disk space	2.5 GB available hard disk space, includes: 1 GB for Keysight IO Libraries Suite 1 GB for Microsoft .NET Framework	100 MB
Display	Minimum of 1024 x 768, 96 or 120 DPI	No display required

Definitions for specifications

Specifications describe the warranted performance of calibrated cards that have been stored for a minimum of 2 hours within the operating temperature range of 0 to 40°C, unless otherwise stated, and after a 45-minute warm-up period. Data represented in this document are specifications unless otherwise noted.

Characteristics describe product performance that is useful in the application of the product, but that is not covered by the product warranty. Characteristics are often referred to as Typical or Nominal values.

- *Typical* describes characteristic performance, which 80% of cards will meet when operated over a 20 to 30°C temperature range. Typical performance is not warranted.
- *Nominal* describes representative performance that is useful in the application of the product when operated over a 20 to 30°C temperature range. Nominal performance is not warranted.

Calibration

The U5310A is factory calibrated and shipped with a certificate of calibration.

1. On older host computers with minimum RAM, installation can take a long time when installing the IO Libraries Suite and the .NET Framework.

Configuration and Ordering Information

Software information

Supported operating systems and host computers	See system requirements
Standard compliant drivers	M.NET, M-C
Supported application development environments (ADE)	VisualStudio (VB.NET, C#, C/C++)

Related products

Model	Description
U5303A	PCIe 12-bit ADC Card with on-board processing
U5309A	PCIe 8-bit ADC Card with on-board processing
Advantage services: calibration and warranty	
Included	3-year warranty, standard
Optional	5-year warranty

Accessories

Model	Description
U5300A-101	MMCX male to SMA male cable, 1m
U5300A-102	MMCX male to BNC male cable, 1m
U5300A-001	Card retainer (recommended if the card is assembled horizontally or in harsh environment)
U5300A-003	Short card retainer
U5300A-KTA1	Kit: StartUpGuide, Cable MMCX/BNC, 2x Power cables
U5300A-KTA2	Kit: StartUpGuide, 2x Power cables

Ordering information

Model	Description
U5310A	PCIe 10-bit ADC Card with on-board processing Includes: <ul style="list-style-type: none">- Fan assembled on module- 3-year standard warranty
Configurable options	
Sampling rate	
√ U5310A-SR4	5 GS/s sampling rate
Bandwidth	
√ U5310A-F25	DC to 2.5 GHz bandwidth
Memory	
√ U5310A-M02	256 MB (100 MS/ch) acquisition memory
U5310A-M40	4 GB (1.6 GS/ch) acquisition memory
Firmware	
√ U5310A-DGT	Digitizer firmware
U5310A-INT	Interleaved channel functionality (10 GS/s)
U5310A-AVG	Real-time averager firmware
U5310A-CST	Continuous simultaneous acquisition and readout, with triggers

√ These options represent the standard configuration.

Ordering number format is U5310A-xxxx.

Please contact Acqiris for other options or specific requirements support@acqiris.com.

This information is subject to change without notice.

Published in Switzerland,

August 2018

Contact us

Acqiris Americas

contact-americas@acqiris.com

Acqiris Asia-Pacific

contact-asia-pacific@acqiris.com

Acqiris Europe

contact-emea@acqiris.com

Acqiris Japan

contact-japan@acqiris.com

Support

support@acqiris.com



Chemin des Aulx 12
1228 Plan-les-Ouates/Geneva
Switzerland
Phone +41 22 884 33 90
hello@acqiris.com
www.acqiris.com